

Bon bini na

(welcome at)

Casa Galpy



The Manual:

Household facts & House rules

Island information

To make it our beloved guests as easy and relaxing as possible.

Enjoy your stay!



Content

1	General information.....	5
1.1	The address and phone numbers of the property managers.....	5
1.2	Arrival at Queen Beatrix Airport.....	5
1.3	Driving instructions.....	5
1.4	Check-in and Check-out	7
1.5	Property manager.....	7
1.6	Key ring.....	7
1.7	Household facts.....	7
2	Emergency numbers.....	8
2.1	High emergencies: ambulance & fire department	8
2.2	Police station.....	8
2.3	Hospital Oranjestad	8
2.4	Dentist	8
2.5	Pharmacy	8
3	House rules	9
4	Amenities during your stay.....	10
4.1	WiFi connection.....	10
4.2	House cleaning	10
4.3	Garbage bins	10
4.4	Swim and sun!	10
4.5	Galpy's pool shed	11
4.6	Water and electricity use	11
4.7	Bed linen and towels	11
4.8	Basic supplies	12
4.9	Hairdryer.....	12
4.10	Traveling with kids?	12
4.11	Grill it on!.....	12



4.12	Private gym	12
4.13	Safe.....	12
4.14	Book swapping	13
4.15	Family games.....	13
4.16	Smart tv and Netflix account.....	13
4.17	Spotify list	14
4.18	Barbulet Concierge	14
5	<i>About Casa Galpy.....</i>	15
5.1	Casa Galpy – the owners.....	15
5.2	Casa Galpy – the villa	15
5.3	Matadera – the area	16
5.4	Casa Galpy’s weather station	16
5.5	Art work.....	16
5.6	Follow us on social media	17
5.7	Hummingbirds.....	18
6	<i>Aruba: one happy island</i>	19
6.1	History	19
6.2	The language: Papiamentu.....	20
6.3	Sunset and Sunrise	21
6.4	Groceries.....	21
6.5	Restaurants	22
6.6	Shopping districts	26
6.7	Activities	28
7	<i>Taxis.....</i>	34
8	<i>All good things....</i>	35



Bon bini na Casa Galpy

Thank you for your booking and for staying at Casa Galpy! As we say in Aruba: **bon bini** na Casa Galpy! Welcome at Casa Galpy! We hope you will enjoy preparing your trip as well as your stay when arriving on the island.

Now you come to the part where relaxing and your holiday really starts, re-energize the batteries and enjoy spending time with your relatives, Casa Galpy and the island to the outmost. We hope you enjoy it as much as we enjoy it ourselves. Every time staying at Aruba feels like a small party, that is probably why they call it "One happy island".

This document contains some practical information that will give some explanation about the property, information about the island, guidance on sightseeing & restaurants and important emergency numbers i.e. the number of our property manager for questions or issues during your stay.

And now... Time to prepare your stay or... Time to relax during your stay! Pasa un dushi vakantie. Have a nice vacation.

Warm regards,

Pat Quintelier

+31 614371600

holiday@casagalpy.com



1 General information

1.1 The address and phone numbers of the property managers

The address of Casa Galpy is:



Matadera 3K

Aruba

Casa Galpy is located in the North Part of Aruba. A region known as Noord. It is close to some of the main beaches of the island i.e. Palm Beach, Eagle Beach and Divi Beach. It is situated on a perfect spot for everyone that like to explore the whole island in the broadest sense of the word. Are you in for some adventure, beach days or party evenings? It is all easy to experience with the house as a base!

Your contact persons on the island during your stay will be our property managers Randolph Arends and Michael. Of course you can always reach out to me, although I am not on the island. I will reply as soon as possible.

- *Aruba Living Today – real estate company | holiday rental service | property management*
Randolph Arends (owner and general property manager): +297 593 9177
Michael (property manager Casa Galpy): +297 594 3177
- *Owner:*
Pat Quintelier: +31 6 14371600

1.2 Arrival at Queen Beatrix Airport



When arriving at Queen Beatrix Airport your vacation starts! Time to get your luggage, pick up your car and start relaxing. To make sure everything goes smooth and easy, we ask you to send a whatsapp message to our property manager as soon as you pass customs. But before picking up your car rental. Our property manager will meet you at the house for your check-in.

Don't worry about the roaming costs! The airport has got free WIFI available what allows you to send this message, and also to update friends and relatives about your arrival at no costs. Just enable Wi-Fi on your device, select the airport wifi and follow the short steps. In a few moments you will be connected.

1.3 Driving instructions



When staying at a holiday rental at Aruba, all guests are recommended to rent a car. Why? Because it gives you the flexibility and freedom to discover the island at your own pace. And that's exactly what we recommend. Rent a car and prepare yourself at home!

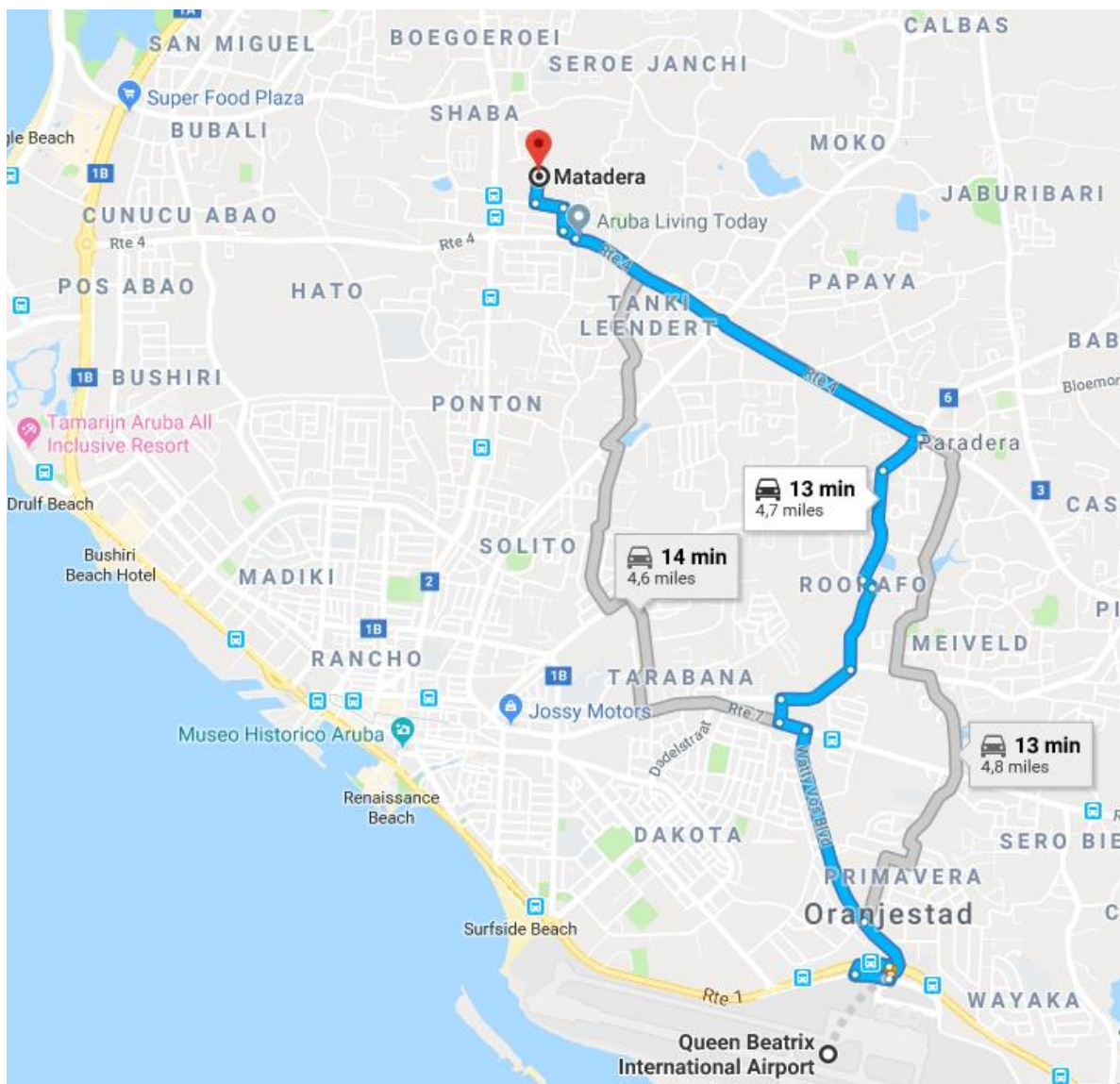


Casa Galpy - sunny holidays in Aruba

6 / 35

If you are in the possession of a smart phone, we recommend you to download Google Maps. It is possible to download the map of Aruba in this app so you can use it offline. It will help you navigate around the island without roaming costs. Do you need assistance with installing an offline version of Google Maps? Please check Google's website at : [Instructions how to install Google Maps on your mobile device](#)

Casa Galpy is only a 13 minutes' drive away from the airport. With the recently constructed roundabouts and new roads you have never crossed the island that easy! The pictured map gives you a quick overview how to drive. Of course, if you fancy a sightseeing route alongside the coastline and through Oranjestad, feel free to use the old routes.





1.4 Check-in and Check-out



Check-in at Casa Galpy is **from 4 pm / 16h00** on the day of arrival. **Check-out** is at **11 am / 11h00** on the day of departure.

We are happy to look for a flexible check-in or check-out if possible, if you have an early arrival time or a late flight back home. We understand this gives you some extra hours of vacation and provides you ease of mind. Don't mind to ask us what the possibilities are during your stay!

You can reach us via the messenger function of the platform you booked your stay, via a whatsapp message to my cellphone +31 6 14371600 or by sending an e-mail to: holiday@casagalpy.com.

1.5 Property manager



Unfortunately, we are not on the island ourselves. Therefore we are not able to meet you in person. To be sure you get the service you deserve, we started a cooperation with a property manager. Randolph and his team are one of the best on the island. With more than 10 years of experience in real estate and property management they know what they are doing and that is giving you the best service during your stay.

They take care of anything related to the house, your check-in and check-out and your stay. If you have any specific needs during your stay on the island related to the mentioned issues, please feel free to reach out to them.

- *Aruba Living Today – real estate company | holiday rental service | property management*
Randolph Arends (owner and general property manager): +297 593 9177
Michael (property manager Casa Galpy): +297 594 3177

1.6 Key ring

When checking you in, our property will hand over a key ring. Those ring contains the keys of the house (i.e. front door, back doors, master bedroom back doors) and loyalty cards from grocery stores. These loyalty cards gave you access to weekly bonus specials and sale items.

1.7 Household facts

- The water in Aruba coming from the tap is the highest standard, it is absolutely safe to drink.
- There is no gas network at Aruba, gas used for the stove is coming from a cylinder. If empty, just call, text or WhatsApp Randolph at +297 593 9177.
- As there is no sewer system on the island the house has got a septic tank. If water is not floating away well (especially in the first bathroom), please call, text or Whatsapp Randolph at +297 593 9177. He will make sure the septic tank will be emptied right away. This will solve the issue.



2 Emergency numbers



Nobody wants to use these numbers, but unfortunately we can't foresee anything. Just to be sure and for your and our security, we enlisted the most important numbers in case of emergency. Of course, if you don't know what to do or if you need help, only one advice: call our property manager.

- *Aruba Living Today – real estate company | holiday rental service | property management*
Randolph Arends (owner and general property manager): +297 593 9177
Michael (property manager Casa Galpy): +297 594 3177

2.1 High emergencies: ambulance & fire department

Like in de USA the general emergency number for calling an ambulance , the fire department and police station in Aruba is **911**.

2.2 Police station

The police station can also be reached in case of less urgency by calling: **+297 527 2900**

2.3 Hospital Oranjestad

The nearest hospital is located in Oranjestad, you can reach the hospital on: **+297 527 4000**

Dr. Horacio Oduber Hospital

Caya Punta Brabo

Aruba

2.4 Dentist

Practice For Advanced Dentistry is the nearest dentist in the area of Casa Galpy at approximately 4 minutes' drive. You can make an appointment by calling: **+297 587 3096**

Their address is: **Bubali 11M**

2.5 Pharmacy

If you need a pharmacy, look for the word 'botica' . That is Papiamento for pharmacy. There are 3 larger pharmacies at the island. Their addresses are listed below.

- **Botica di Servicio Eagle | Caya Punta Brabo 17 | Oranjestad**
- **Botica di Servicio Noord | Noord 82**
- **Benu Pharmacy | Bubali 141 A | Noord – this one is located at the Super Food Plaza**



3 House rules

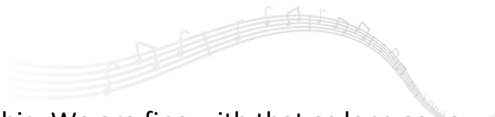
We are happy that you have chosen our villa as your holiday destination, located in a nice and quiet area. To make sure you, we and all our next guests can enjoy the house in future, we had to make some house rules. Don't be scared, it's all about one thing: treat it as it is your own little paradise.

Number of guests



Casa Galpy has 4 bedrooms and 3 bathrooms. Due to insurance restrictions and legal regulation, we are not allowed to host more than 8 guests older than the age of 3. For babies and toddlers between the age of 0-3 years, please contact us to discuss the possibilities.

Parties and events



Being on a tropical island the temptation of having parties is big. We are fine with that as long as you don't use the house as an event spot with tons of people. The general rule is that only the amount of people that is mentioned during the booking is allowed to stay at the house. Of course you can have a private dinner or drink with friends at the house, but please be aware of the neighbours.

Non-smoking and smoking areas



As Casa Galpy houses all kind of people, we installed a non-smoking policy in the house and its rooms. So smoking is only allowed outside. The garden is quite spacious, so room enough to enjoy your cigarette or cigar break. Don't forget to use the ash tray for your ashes and cigarette ends

Pets and feeding (stray) animals



We love pets and we have them at home ourselves. But we don't allow them at Casa Galpy. We are sorry. That also applies for other (stray) animals that can visit our garden. Please do not feed any of them, i.e.: pigeons, iguana's, (stray) cats, (stray) dogs. And please do not let them enter the house. Thank you for your understanding.

Keep it neat

We've mentioned it before... treat the house as your own little paradise spot. So keep it neat during your stay and especially when leaving. If you break a glass or a plate just tell our property manager when checking-out. They will replace it. If you cause severe damage to the house, please tell us so we can arrange someone to repair it. The next guests would like to stay in paradise too!

Our cleaning team will take care of washing the bed linen and towels and cleaning the whole house. So no need to worry about that!

Enjoy your stay

And the most important house rule.... *seas the day....*

vacation mood on....



4 Amenities during your stay

Once again thank you for staying at Casa Galpy. The house is fully equipped to make sure it meets all needs, from some basics in the kitchen to a cooler that you can take with you to the beach. In case you discover a missing necessity at the house, just let us know. If it is available on the island, we will make sure to get it.

4.1 WiFi connection



Having holiday on an island doesn't mean you have to be cut off of the rest of the world. If you would like to stay in touch with the ones who stayed at home, we provide you free WiFi during your stay. Mainly because WiFi is in our opinion not a luxury but a necessity.

The password for our WiFi is: NLgalpy2019

4.2 House cleaning



Before your arrival the cleaning team makes sure that the house is spic and span. If they forgot something, please inform the property manager. On stays of 8 nights or longer, a mid-cleaning will be scheduled when checking-in.

If you would like to receive additional cleaning of the house during your stay, ask for the options. We can offer it at additional costs.

4.3 Garbage bins



In front of the house you will find two garbage bins. The one with the blue lid will be emptied every Friday morning (very early). The big grey bin will be emptied every Sunday morning (very early). Keep these days in mind to get rid of your trash before it attracts insects or start smelling bad.

4.4 Swim and sun!



What is a holiday rental on a Caribbean island without a pool? It is like a Caribbean beach without the white sand! In the back garden, you will find our private swimming pool. Together with the sun deck and the lounge set under the gazebo. At night the lights in the gazebo will go on automatically. They stay on for a few hours. If you would like to last the light longer, you can adjust it with the timer. The same applies to last it shorter.

Our pool boy will clean the pool twice a week. He will be at the house on fixed days: Tuesday and Friday. Most of the time in the morning. He checks the water quality and makes sure there is enough water in the pool. No need to fill it during your stay. It's all taken care of!

What do you think of a night swim with a pool light? Sounds amazing isn't it? In the pump house at the back of the garden you will find a small fuse box. We've put a label on the switch of the pool



light. Done swimming by night with pool light? Please don't forget to turn of the switch again as electricity on the island is scarce and expensive.

4.5 Galpy's pool shed



In the back garden you will notice a small shed with a mosaic on it. That is Galpy's pool shed. What will you find in it? A cool box to have picnics at the beach. Beach chairs, small ones and reclining ones, to make your stay at the beach even more relaxed! Inflatables, beach toys and other kind of stuff to be used at the pool or on the beach. The amount and diversity depends on what's left behind by previous guests.

4.6 Water and electricity use



On the island there is a shortage of water and electricity, please think of the environment and use the available resources smartly. In your rental fee there is an amount of USD 115,- per week included as a utility allowance for water and electricity. At normal use this amount should be sufficient. Any exceedance of the amount will be charged based on usage.

Some tips to save electricity:

- Keep windows and doors closed in case you use the air conditioning.
- The house is equipped with high end air conditioning. If you turn on the air conditioning 20 minutes before going to bed, the room is nice and cool.
- Turn of the air conditioning units when you are having fun around the pool or when you are exploring the island.
- It sounds strange, but turn off the air conditioning units and open the doors. The house is built in Kunuku style, therefor the front doors and the back doors are located in front of each other. Open them both and a nice breeze will blow through the house.

Some tips to save water:

- When brushing your teeth there is no need to let the tap open.
- Consider using the washing machine or dish washer only when it's fully loaded.
- Be aware to close the tap of the shower in the garden.

4.7 Bed linen and towels



The use of bed linen is included in your rental fee. This also applies for your towels. Per person we provide a set of: two make-up towels, two hand towels, two bath towels and one beach towel. Remember to let them dry after using. This way they last longer! And if needed, you can always use the washing machine and dryer.



4.8 Basic supplies

When staying in a holiday rental, you are responsible for your own groceries. We provide you some basic supplies. These are 2 rolls of toilet paper, a piece of soap and a small bottle of shower gel/shampoo per bathroom, a few garbage bags and a few dishwasher tabs. Keep this in mind when arriving on the island and planning your first trip to the grocery store. Or ask our concierge (contact details further in this document) to arrange this for you.

4.9 Hairdryer



Each bedroom is equipped with a hairdryer. Saves space in your suitcase! More space to bring some extra flip flops or swimming suits...

4.10 Traveling with kids?



Are you traveling with kids? Also the little ones are very welcome at Casa Galpy. We have cribs, high chairs and tableware. All free to use! Tell us if you need them and we will prepare them for your sweethearts.

4.11 Grill it on!



Vacation time is grill time! Fancy a steak, fish filet or veggies from the grill? We offer you a free to use charcoal and gas grill. Run out of gas? Send a whatsapp message to our property manager and they will bring a new gas tank. You can buy your charcoal at the grocery stores.

4.12 Private gym



Summer bodies are made in winter... they say... but even on vacation you can have a complete work-out. On the first floor you will find our fully equipped private gym. Free to use for our guests. Are you ready for your work-out?

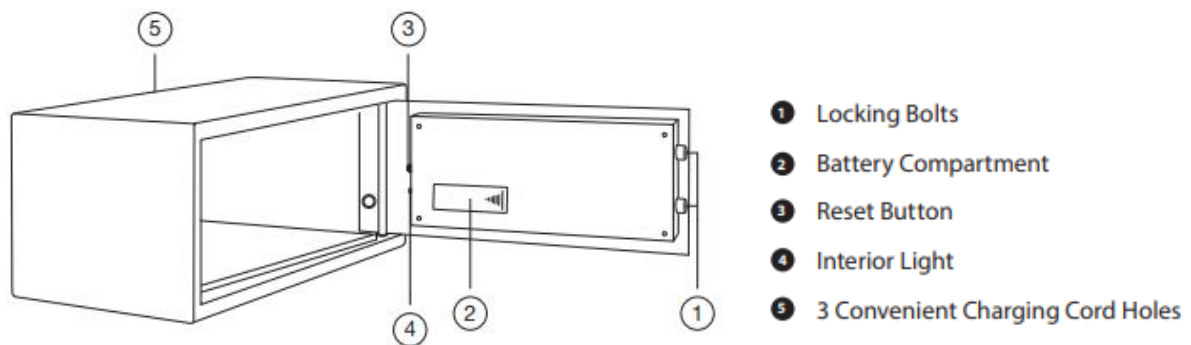
4.13 Safe

Casa Galpy is equipped with two safes: one in the Gecko room and one in the Hummingbird room. You will find the safes on the floor in the closets. Both safes are anchored to the floor. The safes are large enough to put your valuable belongings in it as jewellery, watches and wallets. But you can also put your phone, tablet or small laptop in it. Everything for your safety!

In case of any problems with the safe (i.e. forgot your code or locked upon arrival, send a whatsapp message to one of our property managers. They will give you instructions to open it despite remembering the codes).

How to set your own code for the safe?

- With the door open, press the reset button (3) once, start setting code when the yellow light goes on.
- Input new code (3-8 digits), and press “*” or “#” button to confirm with 2 buzzer beeps, which indicates the acceptance and storage of the new code.
- Now close the door and the safe will lock.



4.14 Book swapping



If you are a bookworm, travelling light can be a challenge. The only option to take enough books with you not exceeding your maximum weight is an e-reader.

Knowing that most of us are not big fans of e-readers and prefer to have a paper version of a book, we provide our guests book swapping. The concept is simple, read what you would like to read and if you didn't finish it before ending your holiday, take it home. If you have a book that you finished, feel free to leave it behind in the library.

Happy reading!

4.15 Family games

In the closet under the television you will find some family games and puzzles for the little ones. Please feel free to enjoy them during your stay. And don't forget to leave them at Casa Galpy, so the next guests can enjoy them too.

4.16 Smart tv and Netflix account

NETFLIX

The house is equipped with a smart tv. When renting Casa Galpy you receive free access to our Netflix account. The password will be send to you shortly before arrival.



4.17 Spotify list

Do you know Spotify? Spotify is a music streaming service. We have made some lists to help you getting in a vacation mood. Just search for the words 'Casa Galpy' in the playlist module.

4.18 Barbulet Concierge



To make your holiday as convenient as possible Casa Galpy offers a concierge service. We started a cooperation with Barbulet Concierge www.barbuletconcierge.com who offers multiple services:

- Private Chef
- Babysitting Service
- Grocery delivery
- Massages@home
- Private Yoga
- Car rental
- Restaurant reservations
- Excursion bookings

This is not an ending list. Barbulet Concierge can arrange anything you want or need. Just give them a call or send them an e-mail and they will inform you the possibilities.

You will not receive an additional charge for the service provide by the concierge, that is a treat of Casa Galpy. The only thing you have to pay is the service provided by the third party, except for grocery delivery.

As Casa Galpy is not actively involved in offering these amendments, please feel free to reach out to Barbulet Congierge via their website or via the following contact details:

- **Barbulet Concierge – Freya Kraag**
info@barbuletconcierge.com
<https://www.barbuletconcierge.com/>
+297 661 9951



5 About Casa Galpy

5.1 Casa Galpy – the owners

Like many others, we also lost our hearts to the white beaches, the blue sea and the nice Arubans. Moving to the one happy island is not yet the issue, therefore we choose to buy us a holiday home. Because we believe that everybody should be able to experience the vibe of the Caribbean at Aruba, we decided to make our home a holiday rental.

We are happy that you have chosen our villa as your holiday destination. Casa Galpy is located in a nice and quiet area. We made sure that the house is fully equipped so it meets all your needs, from some basics in the kitchen to a cooler that you can take with you to the beach.

Having Casa Galpy as our property, every holiday in Aruba feels more and more like coming home for us. We hope for you and your guests too! Enjoy your stay at our house and feel free to ask us anything you want or need!

Warm regards,
Pat (and Bas)

5.2 Casa Galpy – the villa



Casa Galpy has a typical architectural style. It is the so called Kunuku style. What defines this architecture is the way it is build. As example the form of the roof, the placement of the windows, the open spaces for living room, dining room and kitchen and the use of colors.

Kunuku houses are everything but boring! Nice, bright colors as yellow are used at the exterior walls. High ceilings that makes the house feels spacious. The use of wood and other natural materials when building it. And one of the most important elements: the way the windows and the doors are placed. They are placed in a way that, when you open them, the wind blows through the building and act as a natural air conditioner. So no need to put on the air conditioners in the living room and dining room. Open the front door and the French doors at the back porch and experience the Aruban wind blowing through the rooms. It really works as the house is perfectly build considering the way the wind blows at Aruba.

We advise not to open the windows at night when you are a sleep. Casa Galpy is located in a safe and quiet area. And Aruba is an island with little to no crimes. Burglaries are scarce, but you never know. Just close the windows at night and use the air conditioner to keep the room at a lovely temperature. Another advantage? You keep eventual mosquitoes outside!



5.3 Matadera – the area

As said before, the house is located in Matadera. A nice, safe and quiet area of Aruba. It is situated in Noord. One of the most popular regions of the island. Close to beaches, stores, grocery stores, restaurants and clubs what makes it a perfect base for your stay. But it is far enough from those places to give you the opportunity to look for the party when you want it and the quietness to relax when you need it.

The area is easy to reach via the newly added highway (Watty Vos blvd) that crosses the island from Beatrix Airport to Druif beach. This new highway is a bypass around Oranjestad. It makes driving from the mid-part of the island to the north part much faster and easier. Especially during high season when the cruise ships are docked at the cruise terminal and are causing traffic jams due to the many passengers that leave the ship to explore the island. But keep this little secret for yourself, it gives you extra minutes beach or pool time!

5.4 Casa Galpy's weather station



Although Aruban weather is almost always good, the house is equipped with an online weather station. If you would like to see the actual weather or forecast, just visit this link:

<https://tempestwx.com/station/6630/>

Casa Galpy's weather station is 24/7 online and can also be viewed when you are not at the villa.

5.5 Art work

Being part of a community is more than living in that community or having a house in it. It is also supporting and respecting the local entrepreneurs and shops. That's why we choose to work with several local parties in decorating the house. We bought all our furniture at local stores. If the furniture what we were looking for, wasn't available... we chose from the things that were! And it worked. Sometimes it was hard to find objects that fitted the houses style, but with the help of our network, friends and store employees we found what we needed. And what fitted the house.

Furniture alone is not giving the look and the ambiance of a house. Artwork is an essential part of the decoration you need. Therefore we contacted some local artists to add the finishing touch at the house. All credential for those lovely people with a great creative mind!

Maja Lepsanovic: art on driftwood

Colourful art is something the Caribbean islands are known for, the same applies for art made of driftwood. If you combine the two you say Maja Lepsanovic, a local artist who made the unique items for the bedrooms, all having an own theme. Every theme is linked to Aruba and represents one of the typical animals you can find on the island.



Joa Beke: mosaic art

Another great artist on the island is Joa Beke. She is the creative mind to go to when you need a mosaic that fits your house. And that is what we did! She created the logo mosaic at our entrance gate and the stunning mosaics (in our humble opinion) on the pool shed at the back of the garden and on the bottom of the pool. Her creativity goes much further than mosaic. She is great in drawings and paintings as well.

5.6 Follow us on social media

You received this copy of our manual directly after booking your stay with us. Do you want to stay up to date about everything regarding the house? Or do you already want to dream away about your upcoming stay? Follow us on social media. You can find us on twitter, facebook and Instagram.

 <p>QR code Facebook Casa Galpy Scan with your iphone camera or with a QR code scanner or visit us at https://www.facebook.com/casagalpy/</p>	 <p>QR code Twitter Casa Galpy Scan with your iphone camera or with a QR code scanner or visit us at http://twitter.com/casagalpy</p>	 <p>QR code Instagram Casa Galpy Scan with your iphone camera or with a QR code scanner or visit us at https://www.instagram.com/casagalpy/</p>
---	--	--

If you are an active social media user and if you post lovely travel pictures on your accounts... do not forget to use #casagalpy in your posts. That way we and others can dream away with your posts too!

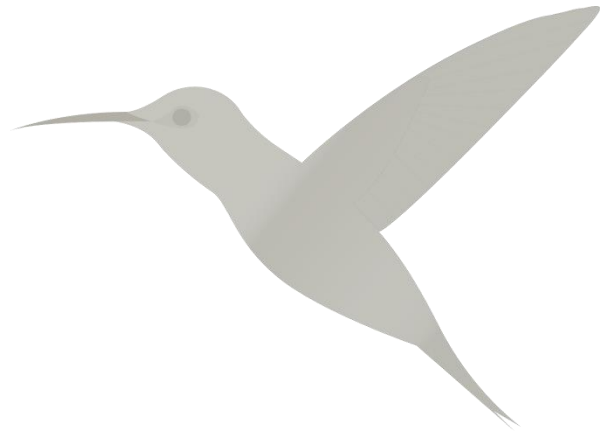


5.7 Hummingbirds

The garden at the house is often visited by hummingbirds. For most of us an unique bird to watch. Did you know that it is the only bird that can fly backwards. In the back garden you see two hummingbird feeders that attract the birds if they are filled with nectar. Feel free to fill them and attract these stunning little birds, the recipe is rather simple:

Hummingbird Nectar Recipe:

- Step 1: Bring 4 cups of water to a boil.
- Step 2: Add 1 cup of white granulated sugar.
- Step 3: Stir well until the sugar is dissolved.
- Step 4: Boil this mixture for 2 minutes to help prevent it from spoiling too rapidly.
- Step 5: Allow to thoroughly cool.
- Step 6: Pour into the clean hummingbird feeders (after cleaning the feeders with warm water to remove the old mixture).



You can also buy ready-to-use nectar at the Do-It store close to the house.

Some basics to keep in mind:

- Do not use honey as this can cause a fatal infection to a hummingbird's tongue.
- Artificial sweeteners or sugars have no nutritional value. Please don't use them.
- Red dyes are not necessary and some may be unhealthy.
- Remember to clean the feeder regularly.
- Change the nectar every 3 to 5 days and more often in hot weather.



6 Aruba: one happy island



Aruba is a paradise to spend your holiday. Besides that the island is easy to access, it has got one of the best climates in the world. The weather is stable and the wind is almost always blowing what makes it not too warm. If you want to cool down, both the private pool in the garden and the sea are nice to cool down.

Despite some of the other islands in the Caribbean, the island is a safe place with limited crime. Like always and everywhere, don't give thieves the opportunity and close the house when leaving. It is recommendable to close the windows when you go sleeping, not only to save energy when using the air-conditioning, but also to prevent someone is creeping in. Ones again, the house is located in a nice and safe area.

Next to the ideal weather, Aruba is a mixture of nature, culture and entertainment. There is a lot to do on the island, we enlisted only a small part of it. Don't be afraid to ask our concierge to assist you with planning your activities.

6.1 History

The name

As far as can be concluded from historical records, the first European to set foot on Aruba was Alonso de Ojeda. This Spanish explorer landed on the Island in 1499. One of his first observations was that the remains he found belonging to the first settlers were considered to be larger than the average European of that day. He remarked that he had come to "an Island of giants".

Popular belief links Aruba's name with the Spanish phrase "oro huba" which means "there was gold". In fact the Spanish did not find any gold, and regarded Aruba as "valueless". Another possibility is that Aruba's name comes from the Indian word "oruba" which means "well placed". Yet another possible derivation of the name is from two Carib Indian words "ora" meaning "shell", and "oubao" meaning "island".

The Indians: first residents

Long before the Spanish arrived, Caquetio Indians of the Arawak tribe settled on the Paraguana peninsula in Venezuela. Threatened by the Carib Indians who were extremely ferocious, they came to the Island of Aruba perhaps as long as 4000 years ago. Today, many names of towns and other geographical areas such as Turibana, Guadirikiri, Camacuri, Andicuri and Bushiri, originate from the earliest Indian chiefs and warrior settlers.

With the arrival of the Spanish many of the Indian population were enslaved and relocated to Hispaniola to work in mines. Despite this their fate was merciful when compared to Indian populations on other Caribbean Islands who were exterminated. In fact, the Island was spared the usual horrors of Spanish colonial policies.



The Dutch take-over

By 1642, the 80-year war between Spain and Holland was drawing to a close, and it was in this year that the Dutch took possession of Aruba. Dutch military personnel were sent to maintain Aruba, but contrary to their living conditions under their previous masters, the Indians were allowed to remain free. There was a short period between 1805 and 1816 when the British assumed control. However, the Dutch returned in 1816.

Gold fever and other export products

In 1824 gold was discovered and was mined extensively, becoming a major export along with phosphate, divi-divi pods for use in leather tanning and aloe. At one time Aruba satisfied a considerable proportion of world demand for this plant's gel - used for pharmaceutical purposes and well-known for its capacity to alleviate sunburn pain.

Eventually gold supplies dwindled and the once-booming mining industry became unprofitable resulting in all operations ceasing in 1916.

6.2 The language: Papiamentu

The local language on the island is Papiamentu. It is a mix of several other languages i.e. Spanish, Portuguese, Dutch, English and even some African. Most of the people on the island speak several languages so no need to learn Papiamentu to make yourself clear. If you speak English, Dutch and/or Spanish, they will understand you very well.

But... if you would like to impress the locals by using their own language, please find below a speed course Papiamentu culture and language.

How to greet?

Good morning	->	Bon dia
Good afternoon	->	Bon tardi
Good evening	->	Bon nochi
Have a nice weekend	->	Bon weekend
Have a nice week	->	Bon siman (Arubans wish everybody always a good week on Monday, so when entering a store, don't be surprised if they say 'bon dia, bon siman'. That's common culture. Just say the same back to the employees, they will be surprised and delighted by it.)

How to say thank you or my pleasure?

Thank you	->	Danki
My pleasure	->	Di nada



Days of the week

Monday	->	Dialuna	Friday	->	Diabierna
Tuesday	->	Diamars	Saturday	->	Diasabra
Wednesday	->	Diaranson	Sunday	->	Diadomingo
Thursday	->	Diahuebs			

Numbers

One	->	Un	Six	->	Seis
Two	->	Dos	Seven	->	Shete
Three	->	Tres	Eight	->	Ocho
Four	->	Cuater	Nine	->	Nuebe
Five	->	Cinco	Ten	->	Dies

6.3 Sunset and Sunrise

Aruba is known for its lovely sunsets. We've all seen those amazing pictures of purple skies, stunning moon views and a setting sun that is on fire. But do you know what time is the best time to view those sunsets? The best time to view them is between 6.00 pm and 7.00 pm. Depending on the time of the year you are on the island. Because of its location close to the equinox, there is not a big difference in the amount of daylight. Go and book your romantic dinner at one of the many beach restaurants during sunset!

What is less known than the beautiful sunset, is the beautiful sunrise on the island. Are you an early bird? Put some drinks and/or breakfast in the cooler and treat yourself to a stunning morning view at Hooiberg or one of the rocks on the East side of the island. The best time to view the sunrise is between 5.45 am and 6.45 am. Depending on the time of the year when visiting the island.

6.4 Groceries

When staying in a holiday rental, you are responsible for your own groceries. The island counts many small grocery stores or supermarkets. You can find them literally everywhere. But when being on holiday, you don't want to spend that much time on doing groceries. To make it easy for you to get what you need, we enlisted two large grocery stores on the island. Don't forget to use the loyalty cards on the key ring! They give you access to members only bonus specials.

Superfood (Bubali 141-A, Noord)

By far the largest grocery store on the island is Superfood. On a 2.1 mile drive you will find everything you need. The variety of products is a mix of North American products and European ones. On the keyring that was handed over by our property managers, you will find a loyalty card what allows you to get the bonus specials.



The stores that accept the Super Food Bonus Card are:

- Super Food
- Bliss
- Cheers
- Jack's Café Aruba
- Casa
- Intertoys
- Food Factory Aruba

The weekly bonus specials can be found on Superfood's website www.superfoodaruba.com

Do it Center (Shaba 3, Noord)

Closer to Casa Galpy (0.6 miles) you will find the "Do it Center", there are multiple "Do it Centers" on the island of which the Shaba one is the closest one and the only one having a grocery and liquor shop. At your keyring you will also find a loyalty card for this shop what gives you the opportunity too to get the bonus specials.

Bonus specials can be found on www.doit.aw

Other grocery stores

As anywhere else on the world you will find several small supermarkets on the island. As well as day stores as night stores. Feel free to buy your groceries there if you want to. As they are so small, the product range they offer is not that big. But if it fits your needs, your set!

6.5 Restaurants

On the island food is important. It's not only a moment to discuss the day, but also an experience on its own. Relaxing in a nice atmosphere with family and friends is a beauty that life provides us, keep enjoying it!

With hundreds of restaurants on the island, this is a small selection of them. In the online version of this document we will regular update and extend the list. But remember, nothing is as personal as food. This list came together on our personal preferences and experience.

And is there a restaurant you fancy? Keep the cooperation with our concierge Barbulet in mind! She will help you out with the reservations.

Bugaloe Beach Bar & Grill (J.E. Irausquin Blvd 79, The Palm Pier)

Who is not dreaming of having breakfast at the blue Caribbean sea? This is the go to place. As of 7h30 / 7.30 am you can have breakfast overlooking the sea and starting your day in a relaxed way. Don't forget Wednesday evening as it is salsa night. From 20h30 / 8.30 pm till 21h30 / 9.30 pm you can have free salsa lessons and swing yourself into the night.



Zeerovers (Savaneta 270a)

A traditional and really affordable sea food bar. Don't expect a posh place. What you see is what you get. Fresh fish is brought in with small fisher boat's, straight from the sea. Order at the desk, get a number sign and find yourself a place to sit, drink an Amstel Bright and wait to the cooked fish is brought to your table. If you like fish, this place is a must to visit! This is a very popular restaurant, visited often by locals too. And you know what that means... if locals like it, it is good, very good.

Closed on Mondays.

Passion on the Beach (J.E. Irausquin Boulevard 252)

Looking for romance? Passion on the beach is one of the places to be. This pop-up restaurant on Eagle Beach offers one of the best sun set dinners in the world. Make sure you make a reservation via their website: www.amsterdammanor.com/passions-on-the-beach and book a table as it will be difficult to get a table around prime time when the sun is celebrating the day with a deep dive into the sea.

Infini (J.E. Irausquin Boulevard 266 – located at Blue Residences on Eagle Beach)

Chefs table at its best! Irvin Croes and his team are really top notch chefs. Combine this with an open kitchen, surprising food combination and hostess Jessika who is also a sommelier and you have an evening you will never forget. Did we say we are huge fans?

Azia (J.E. Irausquin Boulevard 348)

Do you love Asian food? With a twist? And cocktails? Than you have to visit Azia. Located at the strip of Palm Beach near sister restaurant Gianni's (a good Italian restaurant as well). And if you are lucky there will be some live music as well!

Indo Noord (Noord 17)

Aruba is part of the Dutch kingdom, formerly also Indonesia and Suriname belonged to this kingdom. This is the reason why in The Netherlands Indonesian and Suriname food is very popular. At Indo Noord you will find both spicy styles of food at a very affordable price. Don't go here for romance, just enjoy the food or use it as a take-away restaurant.

The Flying Fishbone (Savaneta 344)

We would call The Flying Fishbone a very special+ restaurant, an once in a lifetime experience you find nowhere. Beside of good quality food in the higher segment, the experience of dinner with tables literally standing in the sea is what makes this place unique. The restaurants stands in the top-10 of best beach restaurants in the world. Like with Passion on the Beach make sure you reserve your table around sunset www.flyingfishbone.com Don't forget to bring your flip-flops as this should be a barefoot experience.



Hanasaki Aruba (GutenbergStraat 2, Oranjestad)

Relaxing at the pool? Don't feel like redressing for a night out? And don't want to be the chef yourself? Try out Hanasaki Aruba! A very good sushi restaurant on Aruba. Located in Oranjestad with a few places to sit, the possibility to take away or even to have it delivered at home. The menu can be found on their facebook page or Instagram account. The food can be ordered by calling the restaurant or by sending them your order via whatsapp (don't forget to add the land code of Aruba to their phone number: +297). Check their opening hours on their facebook page too, it changes during the season.

<https://www.facebook.com/hanasakisushiaruba/>

Hanasaki Fusion (J.E. Irausquin Boulevard 330 - located by the iconic Dutch Windmill)

If you want to try something totally different, than book your dinner at Hanasaki Fusion. The food is real fusion: where East meets West. Think about little paintings on your plate with lots of flavour! Want to learn more? Check their facebook page or their Instagram account. Make sure to make your reservation in time.

<https://www.facebook.com/Hanasaki-Fusion-104100088443068>

Barefoot Restaurant (L.G. Smith Boulevard 1, Oranjestad)

Another excellent restaurant with great cocktails and a nice view on the wonderful sunsets of Aruba. Dining experience with your bare feet in the sand. Good music, good food, good drinks. What else do you need? Good company you said? That's the only part you have to take care of by yourself! Our concierge can help you with your reservations.

<https://www.barefootaruba.com/>

Café 080 (Noord 90A, Noord)

Life is stunning at 080 is their motto. And it really is. This snackbar and hang out place offers you a low profile, easy going, no nonsense way of having an afternoon drink, dinner or night out. What food can you expect? Fish and Chips the Dutch way! Including cocktails, mashed potatoes with a meat ball. All the Dutch food you can imagine, with a twist of Aruba. You don't need to make reservations, just hop by.

<https://cafe080.com/>

Elements Restaurant

This adult only restaurant is part of the Bucuti and Tara resort. One of the best resorts worldwide with an adult only policy. Best part? The restaurant is not only for residents. So do you fancy a private dinner under a pallapa with the best view ever on sunset? This is the place to be!



Casa Galpy - sunny holidays in Aruba

25 / 35

And you know what? It is not only own opinion, in 2021 Tripadvisor announced the Top Date Night Restaurants in the World. And guess who is on the second place? Good shot! It is Elements. Bon appetite!

We recommend to ask our concierge to make your reservations. It is very difficult to get your table reserved as an outsider. The pallapas are very popular and they have a hotel-guest-first-policy.

<https://www.elementsaruba.com/>



6.6 Shopping districts

Paseo Herencia (J.E. Irausquin Blvd. 382-A – Palm Beach)

Paseo Herencia boasts a diversity of stylish stores and a panoply of eateries serving anything to suite one's mood, as well as nightly entertainment, a live-watershow with dancers and special events. The central stage hosts regularly scheduled special presentations and community events throughout the year as well as the thrice-nightly "Waltzing Waters" watershow. Paseo Herencia has charming eateries offering breakfast, lunch and dinner that will suite your mood and budget. A complete evening includes dining options of charming al fresco dining at cafes that circle the main plaza, or air-conditioned comfort, before or after enjoying a movie at the cineplex.

The architecture and accoutrements of Paseo Herencia were planned to provide an informative insight into Aruban history and culture; with enlightening tidbits scattered throughout the gallery and the Plaza Padu.

Opening Hours: Open seven nights a week, 10:00am - 10:00pm, Monday - Saturday, and from 5:00pm - 9:00pm on Sunday.

<https://www.paseoherencia.com/>

Palm Beach Plaza Mall (L.G. Smith Boulevard 95 – Palm Beach)

Palm Beach Plaza is Aruba's largest shopping mall and centrally located right in the heart of Palm Beach's high rise hotels, offering 15,000 square meters of fun shopping in Aruba. At Palm Beach Plaza Mall shopping goes hand in hand with entertainment for the entire family. In addition to shops, the Palm Beach Plaza Mall is home to a bowling center, a spa, a movie theatre, multiple fine dining restaurants and bars. Palm Beach Plaza Mall is home to various events. There are live-bands performing on a frequent basis. This largest shopping mall in Aruba is also the decor for many stylish events, including fashion shows and a film festival.

Opening hours: Monday to Saturday from 10 am - 10 pm and on Sunday from 5 pm - 10 pm.

<http://www.palmbeachplaza.com/>

Renaissance Marketplace (Suites 1 to 37, Lloyd G. Smith Blvd 9, Oranjestad)

Embraced by the Caribbean Sea, the cozy Marina harbor and the elegant Wilhelmina Park, the Renaissance Marketplace offers a culinary experience like no other. Offering a wide variety of International cuisines, local stores with the most memorable souvenirs, boutiques with the latest fashion trends. The Renaissance Marketplace is the place to discover.

Entertainment options offered by Renaissance Marketplace include daily live entertainment on both stages, a movie theater, lounges and bars.



Casa Galpy - sunny holidays in Aruba

27 / 35

The Renaissance Marketplace is filled with local flair, the place to experience culture, share a cocktail and go beyond the usual.

Opening hours: daily from 8 am till the late evening hours.

Renaissance Mall (Lloyd G. Smith Boulevard 82)

As a renowned luxury shopping destination and a favorite playground for fashionistas and socialites, the Renaissance Mall is the only shopping complex in the Caribbean with high end retailers under one roof. This fashion destination is a must go when visiting the island of Aruba. Customers can peruse through a variety of women's and men's apparel, footwear, eyewear, perfumes, cosmetics and jewelry. The Renaissance Mall includes Louis Vuitton, Prada, Gucci, Dolce & Gabbana, Carolina Herrera, Michael Kors, Kate Spade, Chopard, David Yurman and Cartier.

Opening hours: Monday – Saturday 10am – 7pm

<http://www.shoprenaissancearuba.com/mall/>

Royal Plaza Mall (Lloyd G. Smith Boulevard 94)

On the outside this large shopping mall in downtown Oranjestad looks like a giant pink decorated cake but inside you will find a broad variety of specialty venues and shops. From international luxury brand stores such as Tommy Hilfiger and Nautica to exclusive jewelers such as Little Switzerland and the island's official Rolex retailer Gandelman Jewelers, from authentic Aruban souvenir shops to Aruba's most favorite surf shop Bula; you will find it at Royal Plaza Mall.

Royal Plaza Mall is conveniently located across from the cruise ship terminal and in the middle of downtown Oranjestad, surrounded by the bus station, flea markets, museums, the main street within walking distance and when on the second floor overlooking the Caribbean Sea. During the day you will find some bars and eateries offering light fare for lunch and dinner, while at night Mojito's Cantina & Grill becomes a salsa dance club.

Opening hours: 9:30am - 6pm and closed on Sunday.



6.7 Activities

Beside of the beautiful beaches and sea life the island offers you many more. The island contains lots of entertainment, another reason that it is seen as one of the best places to hang out in the Caribbean. Below you will find some suggestion that are worthwhile visiting.

6.7.1 Having a beach day?

Eagle Beach

On approximately 7 minutes' drive from Casa Galpy you will find number 3 on the list of world's most beautiful beaches according to trip advisor. The soft feeling of Aruba's sand, palm trees and nice view make this a great place to chill. Parking is free and the same applies for some spots where the Aruba government offers visitors to the island free WIFI. At most places along the beach you can rent a stretcher, some nice spots are the area of Amsterdam Manor (*J.E. Irawsquín Boulevard 252*) or *Coco Loco Beach bar (Caya Ritmo 41, Eagle Beach)*.

Palm Beach

Palm Beach is the area where most large hotel chains are located. As Aruba does not have any private beaches, feel free to use the areas around the hotels where you find multiple beach bars to get your drink or food. In this area you will also find Eduardo's Beach Shack (*J.E. Irawsquín Boulevard 87, Palm Beach*), a very popular spot to buy a fresh fruit snack or fruit smoothie.

Arashi Beach

This beach is one of the more quite beaches in the north part of the island. If you want to have an escape from the touristic areas, try this and don't forget to take your snorkelling gear with you as this place is having some nice spots for snorkelling.

Baby Beach

Famous Baby Beach in the southern part of Aruba, close to San Nicolas, is a true Caribbean beach paradise. This gorgeous half-moon sandy expanse in a calm lagoon is ideal for families with small kids.

The shallow waters make it a prime beach destination for swimmers who like to wade out for a long distance and still touch the sea bottom. Where the bay opens out to the ocean, Baby Beach also offers the perfect location for snorkelling; for your safety please stay within the marked snorkel area.

Baby Beach offers a refreshment stand where you can also enjoy a hamburger or hotdog whilst mingling with the locals. Big Mama's Grill offers bbq, as well as seafood platters, in case you have a bigger appetite.



Beach beds, windscreens and snorkel gear are available at a rental fee. Complimentary huts are placed throughout the beach to protect you from the sun. Close-by is a local dive shop offering snorkel and dive gear rentals.

Rodgers Beach

In walking distance from Baby Beach, you will find another beach called Rodger's Beach. This beach is more private than Baby Beach and is rarely crowded during the week, but is very popular with locals in the weekend. The beach was known for the famous and photogenic blue stairs. Due to some storm and other elements of nature the original stairs were ruined. Recently they renovated them and decorated them with a mosaic artwork. It is the most impressive when watching to the front of the stairs on a little distance!

Mangel Halto Beach

This secluded beach is a perfect sunning and snorkelling spot in Aruba with calm, shallow waters rich in sea life supported by an intriguing network of mangroves.

Sun bathers that like a quiet beach and their privacy tend to go here. The public beach huts and shaded areas are also perfect for a beach picnic or to watch Aruba's sunset. The area offers a sand beach, a wooden sun deck, and access through the mangroves for open water kayaking and SUP boarding.

You can park your car in the area of Mangel Halto Bar (*Savaneta*) from there it is approximately 1 minute walk.

Boca Catalina and Tres Trapi

Boca Catalina is a beautiful little beach that offers a great snorkeling experience with a diversity of aquatic life very close to the shore. This small inlet is located between Malmok and Arashi Beach. Although this area is visited a lot by many catamarans and sailboats, it's still very quiet and relaxing at this beach with pretty scenery. The best time to visit this beach is in the morning when the wind and current is not as strong.

Tres Trapi is situated next to Boca Catalina and is known for the three (tres) steps in the rocks to enter a soft piece of sand to start your snorkeling adventure. This beach offers you also the biggest chance to spot turtles!

Malmok Beach

Malmok Beach can be found on the northwestern shore in between Fisherman's Hut and Tres Trapi. This narrow rocky strip is a popular fishing and snorkeling spot. The shallow, clear, and calm waters are what makes it so perfect for snorkeling. It is often visited by catamarans and sailboats....



6.7.2 Looking for adventure?

ABC Tours Aruba

One of the most popular tours at Aruba is by far the ABC Tour www.abc-aruba.com. This tour will show you the most important parts of the island. There are multiple options, like the jeep safari and UTV tour. Depending on which tour you choose, they show you:

- Lighthouse
- Bushiribana Gold Mills Ruins
- Natural Bridge
- Natural Pool at Conchi, Aruba's Arikok National Park
- Baby Beach
- North Cape
- Blackstone Beach
- Andicuri
- Eyes of God
- Arikok National Park

Visit their website for all options and the most recent tours they offer. It is sometimes worthwhile to book your tour a couple of days upfront and online as sometimes you get a discount.

Aruba National Park (San Fuego 70 Santa Cruz)

Aruba National Park is commonly known as Arikok. But there is a slight difference between the two. Arikok is part of the Aruba National Park and a visit more than worth. The Aruba National Park exists of 17 nature reserves, as well as 4 marine protected areas. Explore the Visitor Center, hiking trails, Hofi Shon Shoco, Cunucu Arikok, Conchi, Fontein and Quadirikiri Cave, Boca Prins dunes, Arikok and Jamanota hills and much more.

For more information <https://www.arubanationalpark.org/main/guest-information/>.

Happy Divers Aruba (Palm Beach 33 B)

Aruba is not only having incredible spots on land, but also contains a great sea life. No matter if you are an experienced diver or if you want to learn how to dive, Happy Divers Aruba is the most famous diving school on the island www.happydiversaruba.com

Happy Divers is located in the Palm Beach area.

Vela Sports Aruba (between the Ritz-Carlton and the Marriott hotel)

If you are into water sport, Vela offers a variety of possibilities. They offer kitesurfing, windsurfing and hobie cat sailing, all including the possibility to get lessons. As the island contains a lot of wind, Aruba is seen as one of the best places in the world for kiting and windsurfing. Next to a number of



water sports they also offer Sub Yoga, a yoga class on the water. Bookings and additional information can be found online: www.velaaruba.com

Hooiberg

Hooiberg - which translates to Haystack - is a volcanic formation which is 165 meters above sea level, and is located at the approximate center of Aruba. Although Hooiberg seems like the highest point of the island it is in fact the second highest. Jamanota, a hill located in the Arikok National Park stands at 189 meters above sea level, and is the true highest point of Aruba.

If you manage to survive the 900 steps climb, you will have a great view and if the weather is really clear you can even see Venezuela.

6.7.3 Sight-seeing the easy way!

The butterfly farm (J. Irausquin Boulevard Z/N)

Want a unique experience just steps from Palm Beach? Visit the charming Butterfly Farm, a guaranteed hit for all ages.

A visit to Aruba's Butterfly Farm is an unforgettable encounter with nature in all its beauty and diversity. Step into a tropical garden teeming with butterflies, the world's most colourful creatures. Observe the life cycle of these fascinating animals from egg to caterpillar to chrysalis to butterfly. The butterfly farm's tour guides will entertain you with commentary on butterfly habits and the miracle of metamorphosis.

The butterfly farm is a rare opportunity for photography and a sure delight for visitors of all ages. Arrive early in the day and witness new butterflies emerging from their chrysalis and taking their first flight. Your admission ticket gives you a free pass for the rest of your vacation.

The Butterfly Farm is located in the famous Palm Beach area, just across from the Aruba Divi Phoenix.

The Tranquilo Sailing tour

Tranquilo Sailing tour is offering a sailing and snorkelling experience since 1977, if there is someone who knows the Aruban area it is captain Anthony who grew up sailing in the area. He took the helm of his father Mike and kept the tradition alive till today. Anthony is providing his guests an unique experience offering the opportunity of drift snorkelling along the magnificent coral formations.

www.tranquiloaruba.com

Aruba Aloe Factory & Museum (Pitastraat 115, Hato)

While the name of Aruba might connote white sand beaches, sunshine and tropical drinks with those little umbrellas in them, the truth is that Aruba is an amazingly diverse little island nation, and nevermore is that apparent than when visiting the Aruba Aloe Factory and Museum. Aloe is native to



Aruba, and thanks to its medicinal and restorative properties, it has become one of the leading exports of the nation.

Learn about the history of aloe and Aruba while on a complimentary walking tour offered in English, Dutch, Spanish or in Papiamentu – the native language of Aruba – every 15 minutes. You'll explore the grounds, learn about aloe's restorative properties and see the processing methods of this amazingly versatile plant.

6.7.4 A night out

Have a drink

- Apotek Speakeasy (Klipstraat 2 Oranjestad), closed on Sunday and Monday
- Charlie's Bar and Restaurant (Bernard van de Veen Zeppenfeldstraat 56 San Nicolas)
- Bugaloe (J.E. Irausquin Boulevard 79)

Bochincha Container Yard

Time to get out at night! The Bochincha Container Yard offers you a complete experience. Food, drinks, cigars, some music. Get yourself dressed up and time to go out!

<https://bochincha.com/>

Try your luck at the casino's

If you want to test your luck, there are multiple casino's. Almost every large hotel has got its own casino that will accept guest who are not staying in the hotel.

Casino Hyatt Regency is one of the more popular ones on the island, free drinks are offered and the same applies for entertainment. This casino is featuring 13 gaming tables, 221 slot machines, 19 video poker machines and a casino bar serving hand-rolled cigars and exotic drinks. Nightly entertainment available Tuesday through Sunday from 10:00 PM – 1:00 AM.

Probably the largest casino on the island is the Alhambra Casino, also here you will find all possibilities to gamble.

6.7.5 It's all about rum... and wine

When you say Caribbean, you say rum. Aruba has got several local distilled rums. From Palmera to Tropical Rum to the own distilled rum by the local rum stores itself. Most of them are for sale at the several liquor stores or supermarkets on the island. Due to the high import taxes for alcoholic drinks, these local rums are (mostly) very affordable yet very tasty. So cheers to the rum!



Papiamento Rum

A rum to talk, share, enjoy and revive your best moments with close friends! The lively and intense character of Papiamento Aruba Reserve is the perfect expression of the One Happy Island spirit. Its innovative blend of Caribbean alcohols aged up to 15 years in a combination of old and new world barrels, lives up to its name.

Papiamento, a language that “blends” African, Spanish, Portuguese, English, Dutch and the words of the native Arawak people who inhabited the area before the conquest.

Because sugar cane does not exist on the island, the Master Rummaker selected Panama for its proximity and similar climate to produce the alcohols. A careful selection of alcohols aged from 3 to 15 years in barrels from the old and new world, has created a unique blend, inspired in the culture of the Dutch Caribbean ABC Islands.

Tip of the house: this rum is a perfect souvenir to take home with you. Therefore buy your bottle of rum at the duty free shop at the airport. It is much cheaper than buying it at the supermarkets.

Let's talk Papiamento!

<http://www.papiamentorum.com/>

Alto Vista Winery

The first, the one and the only vineyard on Aruba! You don't believe us? Check their website at <https://www.altovistawinery.com> and you find out everything about it. Book a tour and you'll see what an impressive performance they did. The best thing of the tour? It is a tour with wine tasting and rum tasting as the owners are also distilling their own rum. Enjoy!

6.7.6 San Nicolas – art city of the Caribbean

San Nicolas, once a ghost town, now the cultural capital of Aruba. And almost of the whole Caribbean! Artists from all over the world joined the Aruba Art Fair and transformed the city to a complete piece of art. With murals all over the city you don't know where to look. Curious? Drive downwards to San Nicolas and start your visit. Do you want to learn more about the Aruban Art Fair, the meaning of the murals and the idea of the whole concept? Book a two hour tour and you learn everything about it directly from the organizer / curator of the Art Fair, Tito Bolivar.

<https://arubamuraltours.com/>

<https://artweekaruba.com/>



7 Taxis

Taxis in Aruba don't have meters since rates are based on destination rather than mileage and are set by the Aruba Department of Public Traffic. Most taxis have a maximum capacity of 5 passengers per taxi. You will not find any Uber's. Another way to travel the island without a car rental is using the public transport called Arubus.

Tips are not included in the taxi rates.

If you want to order a taxi you can call/text or whatsapp i.e.

- Aruba Taxi Company: +297 587 1300
- Jerry Taxi: +297 730 1830
- Julio Taxi (only during day time and for larger groups, he comes with a party bus and can also guide you): +297 594 6656

Keep in mind that a surplus can be charged as i.e. (prices can vary due to government alterations):

- Sunday fares are surcharged \$3.00
- Holiday fares are surcharged \$3.00
- After midnight fares are surcharged \$3.00
- Minimum rate is \$6.00
- Hired rate is \$45.00/hour
- Waiting time is \$3.00 per 5 minutes
- \$50 and \$100 bills will in general not being accepted
- Shirtless, wet or damp passengers not allowed
- To & from the airport, each passenger is allowed one piece of luggage & one hand bag/carry-on. Additional charges are \$2.00 per piece



8 All good things....

... come to an end. Also this manual. We hope we provide you with all the information you were looking for to make your stay one to remember. If you are missing some information. Or if you have extra information for us... Please provide us with the details. We would be happy to include them in the manual for our next guests.

Casa Galpy is a holiday rental on the market and we would really appreciate to hear about your experience during your stay on the island. So please keep us updated and let us know if we can improve or change things. Your opinion is very much appreciated! The same applies for your review on Facebook, Airbnb, VRBO or one of the other rental sites!

And don't forget to share your experience and holiday pictures via social media by using the hashtag #casagalpy. You can find us on Twitter (@CasaGalpy), facebook (<https://www.facebook.com/casagalpy/>) and Instagram (@casagalpy).

Enjoy your stay at Casa Galpy and we hope to see you back soon! Wish you all the best and have a safe flight back home.